

TOSHIBA



**TOSHIBA AMERICA INFORMATION SYSTEMS
STORAGE DEVICE DIVISION
IRVINE, CALIFORNIA**

**SD-R5112
DVD REWRITEABLE DRIVE
USER MANUAL**

CONTENTS

Introduction.....	1
Setup	3
Using the DVD Rewriteable Drive.....	7
Troubleshooting.....	10
Specifications	11
Drive Connectors.....	14

INTRODUCTION – SD-R5112

General Features

Reads and records digital data on DVD-R/-RW and CD-R/-RW discs

CD-R/-RW disc write/rewrite at 16X/10X

DVD-R/-RW disc write/rewrite at 4X/2X

3-way Disc Eject (eject button, software, emergency eject hole)

Average Random Access Time

CD 110ms

DVD-RAM 200ms

DVD-ROM 130ms

Horizontal or Vertical Mount

2MByte Buffer

Playback interchangeability for CD-ROM and DVD-ROM discs

Regionalization (RPC2 compliance) (DVD)

BUS Interface - ATAPI

Types of Disc Formats Supported - Write

- Applicable Write Format CD-R/-RW, DVD-R/-RW: Disc at once, Track at one, Session at once, Packet write, incremental write, restricted overwrite
- Applicable Write disc CD-R/-RW, DVD-R/-RW: CD-DA, CD+(E)G, CD-MIDI, CD-ROM, CD-ROM XA, MIXED MODE CD, CD-I, CD-I Bridge, (Photo-CD, Video-CD), Multi-session CD (Photo-CD, CD EXTRA, Portfolio), DVD-R (Ver 2.01 for General, Optional Spec Rev 1.0), DVD-RW (Ver 1.1, Optional Spec Rev. 1.0), DVD-RAM (Ver 2.1)

Types of Disc Formats Supported - Read

DVD:

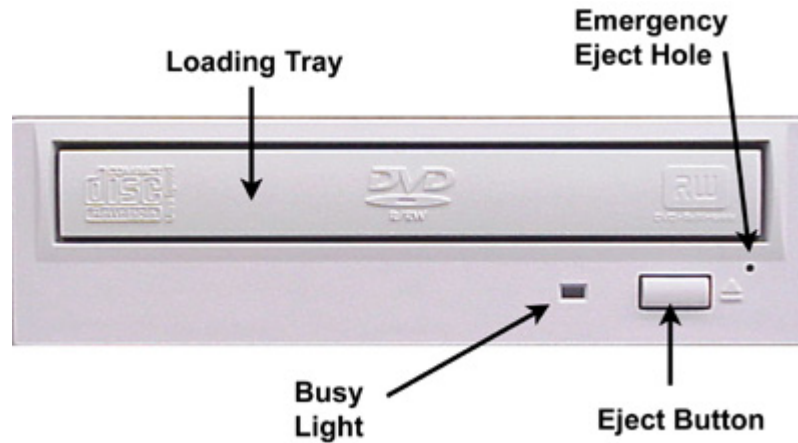
DVD-ROM (DVD-5, DVD-9, DVD-10, DVD-18), DVD0-R (Ver 1.0, Ver 2.0), DVD-RW (Read Ver 1.1)

CD:

CD-DA, CD+(E)G, CD-MIDI, CD-TEXT, CD-ROM, CD-ROM XA, CD-I, CD-I Bridge (Photo-CD, Video-CD), Multi-session (Photo-CD, CD-EXTRA, CD-R, CD-RW, Portfolio), CD-R, CD-RW

Front Panel

Figure 1. SD-R5112 DVD Writeable Drive Front Panel



Loading Tray	Load disc using tray.
Busy Light LED	The LED lights green or amber when the drive is operating (LED is amber when drive is writing.)
Eject Button	The Eject button is used to open the disc tray so you can install or remove a disc.
Emergency Eject Hole	The emergency eject hole is to be used only when the Loading Tray will not open when Eject button is pressed.

System Requirements

The DVD Writeable kit requires the following (If kit uses Nero6 software):

- Microsoft Windows 98SE, XP, 2000 or ME
- CPU Requirements:
 - 300MHz minimum
 - 800MHz for capturing to hard disc
 - 1.6GHz for capturing to DVD video
- 64MB RAM, 128MB RAM (for video editing)
- Hard Drive Space:
 - 500MB minimum
 - 4.8GB for DVD Images
- Screen solution 800 x 600 pixel minimum, 16 bit color depth or higher
- Windows Internet Explorer 4.0 or higher
- PCI sound card, USB audio box or motherboard built-in audio device
- TV tuner or video capture board for analog recording

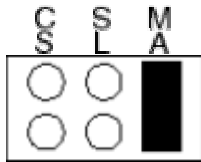
SETUP – SD-R5112

The following steps must be performed to properly install your drive:

- Set Drive Jumper Settings
- Connect Audio Cable
- Attach IDE BUS Cable
- Attach Power Cable
- Mount Drive

Jumper Settings

The mode select jumpers are 6 straight angle pins located on the rear of the DVD Rewriteable drive. By placing a jumper on the pins, you can select the following functions:



- CS Drive is configured using host interface signal CSEL
- SL Configures drive as Slave
- MA Configures drive as Master (default mode)

Figure 1. Mode Select Jumper

In most installations, jumper should remain in the MA position (factory default). It is recommended that you install your DVD Rewriteable drive only on the secondary IDE BUS. If you are installing on primary IDE BUS, your hard drive would then be the Master, and you should set your DVD Rewriteable drive to the Slave position (SL)

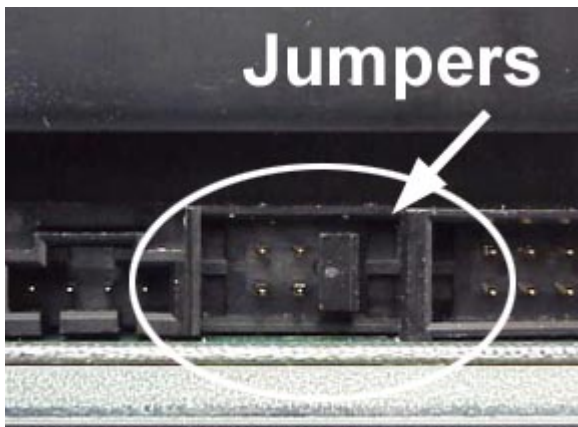


Figure 2. Jumper Locations

Placing DVD Rewriteable Drive inside your Computer

Now that you have set the jumpers, you are ready to install your DVD Rewriteable drive inside your computer.



Important Note: Disconnect power from your computer system before beginning installation.

Remove computer cover and faceplate if required. Refer to your computer systems manual for removal information. If the DVD Rewriteable drive is replacing a CD-ROM or DVD-ROM, remove drive presently installed in your system.

Your Toshiba DVD Rewriteable drive can be placed in any free half-height drive slot at the front of your computer. (It can be mounted horizontally or vertically.)

Carefully start sliding the DVD Rewriteable drive into the opening with the disc tray facing the front of the computer. Before you push the drive all the way in you will need to connect the IDE BUS cable, Audio cable and the Power cable on the back of the drive.

Connecting Cables

IDE BUS Cable (not supplied with drive) - Your computer system should have a primary and secondary IDE BUS, cable with your Hard Drive most likely being the Master on the primary BUS. Connect BUS cable as follows, assuring that pin 1 of cable (side with red stripe) is connected to pin 1 of the DVD Rewriteable drive's interface connector:

If you are replacing your CD-ROM or DVD:
connect DVD Rewriteable drive to the BUS Cable connector that the CD-ROM or DVD was connected to.

If DVD Rewriteable drive is not replacing a CD-ROM/DVD or is an addition to a CD-ROM/DVD:
connect DVD Rewriteable drive to an open connector on the secondary IDE BUS cable (not supplied with drive).

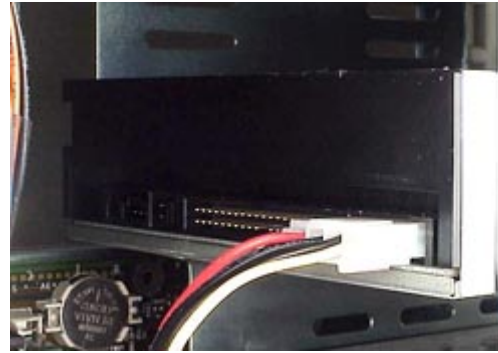
If DVD Rewriteable drive is to be slave on Primary BUS:
connect DVD Rewriteable drive to open connector on the primary IDE BUS cable (not supplied with drive).



Figure 3. Installing BUS Cable

Power Cable - Connect an internal computer power supply cable to the power socket at the back of the DVD Rewriteable drive. One side of the plug has chamfered edges, so the power connector fits only one way. Push plug completely into the socket making sure the plug fits correctly.

Figure 4. Installing Power Cable



Audio Cable (optional) - If you have a sound card and speakers, and would like to play audio CDs on your computer, you will need to install a CD/DVD audio cable. Toshiba's DVD Rewriteable drives use a standard 4-pin audio cable that can be purchased from most local computer suppliers. The sound cable connects to your sound card at one end and the other end connects to the digital audio connector at the left rear of the DVD Rewriteable drive (see DVD Rewriteable drive Back Panel photo for location). Refer to the instructions that came with your sound card for details on any sound-driver software required.

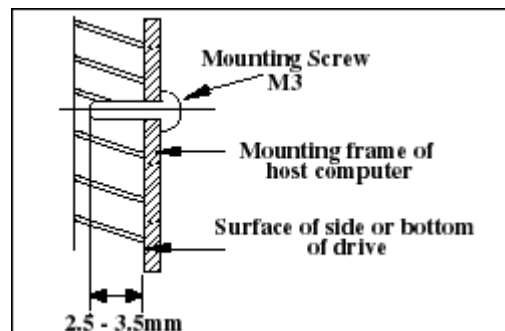
Figure 5. Installing Audio Cable



Completing Installation

After you have connected all the necessary cables, push the DVD Rewriteable drive completely into the computers drive slot. Mount drive per your computers instructions. The screw length should not exceed 30.5mm (measured from outside surface of side or bottom of drive to tip of screw). Replace computer cover and all outer screws.

Figure 6. Mounting Illustration



Software Driver - Toshiba's optical drives do not require any unique device drivers for Windows '95/'98/2000/Me/XP/NT. After installing your drive and re-booting, your system should recognize your drive. Windows '95/'98/2000/Me/XP/NT Operating Systems support all Toshiba optical drives natively. If you prefer using DOS, download the DOS ATAPI driver from our web site.

Other Software - Additional software is required to use the SD-R5112 CD-R/-RW, DVD-R/-RW and DVD functions. When you purchase the SD-R5112 as a kit, it will include the following software (Nero6):

Nero6 OEM Suite 3 Software:

- Nero Burning Rom - This easy to use software enables you to create your own CDs and DVDs.
- Nero Backup - Easy to use data backup program.
- InCD 4 - Easy to use Packet writing tool.
- Nero Media Player - Easy to use software for CD Audio, Streaming Audio and Streaming Video.
- Nero ShowTime - a software DVD player for the most vibrant picture viewing of DVD movies and your own projects, along with MPEG-4 (Nero Digital) compatibility
- NeroVision Express 2 - a software package that leads you comfortably through the whole process of making Video CDs, Super VideoCDs or high-value DVDs

If you did not purchase the SD-R5112 as a kit, you will need to purchase third party software in order to view DVDs and create CD-R/-RW and DVD-R/-RW discs.

USING THE DVD Rewriteable Drive – SD-R5112

Drive Operation

Inserting a Disc - Horizontally

To insert a disc into a drive that is mounted horizontally, perform the following steps:

Figure 1. Inserting Disc



1. Open the drive's Loading tray by pressing the Eject Button.
2. Place disc or into drive's Loading tray
3. Press Eject button again or gently push on the open disc tray. Tray will automatically close.

Inserting a Disc - Vertically

To insert a disc in a drive that is mounted vertically, perform the following steps:

1. Locate sliding disc holders (4 locations) on drive's Loading Tray.
2. The vertical position of the drive (eject button up or down) determines which of these four sliding disc holders are used (see photo below). Position the disc behind 3 of the disc holders, two on bottom, and one on upper rear, closest to drive). Using all four holders may cause the disc to not set properly in tray.
3. Slide the disc holders towards the center of tray using your finger, opened paper clip or the end of the emergency eject tool. The holder in the upper front side should be pulled away from the center of tray.
4. Position the disc behind disc holders on upper and rear side of tray. Then put disc behind bottom front holder
5. Check to see that all three disc holders are holding disc securely.
6. Close the drive by gently pushing in the tray or pressing the eject button.

Figure 2. Inserting Disc Vertically



Removing a Disc

To remove a disc from the DVD Rewriteable drive, perform the following steps:

1. Open the Loading Tray by pressing the Eject Button.
2. Slide disc holders away from disc.
3. Grasp disc by edges, and lift out of loading tray.
4. Press Eject Button again to close Loading Tray.

Software

When you purchase the SD-R5112 as a Kit, it will include Nero6 OEM Suite Software.

Nero6 OEM Suite 3 disc contains the following software:

Nero Burning Rom	This easy to use software enables you to create your own CDs and DVDs
Nero Backup	Easy to use data backup program
InCD 4	Easy to use Packet writing tool
Nero Media Player	Easy to use software for CD Audio, Streaming Audio and Streaming Video
Nero ShowTime	A software DVD player for the most vibrant picture viewing of DVD movies and your own projects, along with MPEG-4 (Nero Digital) compatibility
NeroVision Express 2	A software package that leads you comfortably through the whole process of making Video CDs, Super VideoCDs or high-value DVDs

Media Recommendations

Toshiba recommends that major brand media be used for recording. Below are recommended blank media speeds.

CD-R: all speeds	DVD-R: 2X minimum
CD-RW: 1X - 4X	DVD-RW: 1X minimum
High Speed CD-RW: 4X - 10X	

Usage Guidelines

- Keep the disc tray closed when not using the DVD Rewriteable Drive.
- Do not press down on the disc tray when opening or closing it.
- Do not place objects on the disc tray.
- Never use a damaged, broken, or deformed disc.
- Do not press the Open/Close button while the drive is playing a DVD movie or accessing a disc. To stop a DVD movie, click Stop button in the DVD player application program.



NOTE: High-speed drives spin the disc at a high rotational speed. If a disc has printing on only half of the disc, or if there is a slight imbalance in the disc, the imbalance is greatly magnified by the high speed, causing the drive to vibrate or produce a fan-like noise. These effects are inherent in the high-speed technology and do not indicate a problem with the drive.

Emergency Ejection



CAUTION: The following procedure is intended only as a last resort when pressing the eject button fails to open the Loading Tray

1. Turn computer power OFF by properly shutting down system.
2. Insert a solid bar (i.e. large paper clip) into Emergency Eject hole and push in until loading tray opens. Pull tray out.

Figure 3.Using Emergency Eject



Handling Media

DVD media is sensitive to dust and fingerprints. Carefully handle media by its edges only. If a DVD movie skips or hangs during playback, clean the media. Most DVD video playback issues are media-related and can be remedied by proper handling and care of media.

Cleaning Media

Try to avoid touching the read area (underside) of the disc as dirt and smears will degrade the disc accessing speed.

If the disc becomes dirty wipe it with a damp soft cloth. Avoid cleaning in a circular motion, but rather from the inner side outward.

TROUBLESHOOTING – SD-R5112

Problem	Solution
Disc tray cannot be opened	<ul style="list-style-type: none"> • Check that there is power to drive. • Use Emergency Eject instructions to open tray.
Drive is not recognized by system	<ul style="list-style-type: none"> • Is the drive connected properly? Are all cables plugged in properly (e.g. Power Cable, Interface Cable and Audio Cables). • Are the drive configuration jumpers on the DVD Rewriteable drive set properly? • Is the software driver loaded? On a step-by-step (F8) Boot of the system is the DVD Rewriteable drive recognized? (BIOS / DOS reports "device driver not found" or "no valid drivers selected."). If not, Contact Technical Support. • Has the DVD Rewriteable drive software driver been corrupted by a virus. Run a Virus Scan program and repair if possible. Contact Technical Support if the Virus renders the DVD Rewriteable drive software drivers not useable.
Drive is not recognized by system during Boot process, but is recognized by the Operating System (i.e. XP, Win2000, Win98, Win NT, etc.)	<ul style="list-style-type: none"> • Is the DVD Rewriteable drive software driver loaded? On a step-by-step (F8) Boot of the system is the DVD Rewriteable drive recognized? (BIOS / DOS reports "device driver not found" or "no valid DVD drivers selected."). If not, Contact Technical Support. • Has the Windows DVD Rewriteable drive software driver program been corrupted by a virus. Run a Virus Scan program and repair if possible. Contact Technical Support if the Virus renders the software drivers not useable.
BUSY Indicator LED flashes slowly	<ul style="list-style-type: none"> • The disc may be dirty Clean it with a soft damp cloth. Avoid cleaning the disc using a circular motion. The disc should be wiped in a radial direction. That is, from the inner side outward. • The laser lens may have become cloudy or blocked by particulate matter. Please contact Technical Support.
BUSY Indicator LED is constantly ON	<ul style="list-style-type: none"> • Possible Hardware Problem. Please contact Technical Support.
DVD-ROM can not play a DVD in the drive or certain types of CD media (i.e. CD-plus, etc.)	<ul style="list-style-type: none"> • Is the DVD Rewriteable drive driver loaded • Is the DVD disc the correct format for the type of system that you are using? (i.e. on a PC an ISO9660 IBM compatible PC format as opposed to Apple/Mac HFS disc or UNIX disc formats which will not function). • Do you have the correct software applications program/drivers installed to run a DVD disc? • Has the Windows DVD Rewriteable drive software driver program been corrupted by a virus. Run a Virus Scan program and repair if possible. Contact Technical Support if the Virus renders the software drivers not useable.

SPECIFICATIONS –SD-R5112

General

Interface: ATAPI

Applicable Formats - Write:

Write Formats Disc at once, Track at once, session at once, Packet Write, incremental write,
CD-R/RW restricted overwrite
DVD-R/RW

Write Disc - CD-DA, CD+(E)G, CD-MIDI, CD-ROM, CD-ROM XA, CD-I, MIXED MODE CD,
CD-R/-RW CD-I Bridge (Photo-CD, Video-CD), Multi-session CD (Photo-CD, CD-Extra,
DVD-R/-RW Portfolio), DVD-R (Ver 2.01 for General, Optional Spec Rev. 1.0), DVD-RW
(Ver1.1, Optional Spec Rev. 1.0)

Applicable Formats - Read:

DVD: DVD-ROM (DVD-5, DVD-9, DVD-10, DVD-18)
DVD-R (Ver. 2.01)
DVD-RW (Ver. 1.1)
DVD-RAM (Ver 2.1)

CD: CD-DA, CD+(E)G, CD-MIDI, CD-TEXT, CD-ROM, CD-ROM XA, CD-I, CD-I Bridge (Photo-CD,
Video-CD), Multi-session (Photo CD, CD-Extra, CD-R, CD-RW, Portfolio), CD-RW, CD-R



Note: All DVD/CD formats, except CD-Red Book (audio), require additional application specific software and/or hardware. The drive is capable of reading these data formats. However, in order to run applications that use these formats, you must first have the required software and/or hardware.

Data Disc Capacities

DVD-ROM	4.377GB (DVD-5) 7.959GB (DVD-9) 8.754GB (DVD-10) 15.917GB (DVD-18)
DVD-R (Ver 1)	3.679GB
DVD-R (Ver 2.0)	4.377GB
DVD-RW	4.377GB
DVD-RAM (Ver 2.1)	4.377GB
CD	656.5MB (mode 1) 748.8MB (mode 2)

Performance

Rotational Speed

DVD-ROM (single layer)	7,580rpm (5.0 - 12X CAV)
DVD-ROM (dual layer)	5,053rpm (3.3 - 8X CAV)
DVD-R (Ver. 1.0)	3,200rpm (2 - 4.8X CAV)
DVD-R (Ver. 2.0)	2,780rpm (2 - 4.8X CAV)
DVD-RW (Ver 1.1)	2,780rpm (2 - 4.8X CAV)
DVD-video (CSS-Disc)	2,780rpm (2 - 4.8X CAV)
DVD-R (Ver 2.0) (Write)	550 - 1,390rpm (1X CLV) 1,100 - 2,780rpm (2X CLV) 2,200 - 5,560rpm (4X CLV)
DVD-RW (Ver 1.1) (Write)	550 - 1,390rpm (1X CLV) 1,100 - 2,780rpm (2X CLV)
DVD-RAM (Ver 2.1)	1,380 - 3,300rpm (1X ZCLV)
CD-ROM, CD-R	8,561rpm (17.2 - 40X CAV)
CD-RW	4,281rpm (8.6 - 20X CAV)
CD-DA Transfer	3,200rpm (12.7 - 16X CAV)
CD-DA, Video-CD	1,200 - 2,000rpm (4 - 6X PCAV)
CD-R (Write)	3,400 - 5,940rpm (12, 16X ZCLV) 2,550 - 5,940rpm (12X CLV) 1,700 - 3,960rpm (8XCLV) 850 - 1,980rpm (4X CLV)
High Speed CD-RW (Write)	2,125 - 4,950rpm (10X CLV)
CD-RW (Write)	850 - 1,980rpm (4X CLV)

Transfer Rate

DVD (Single)	6,682 - 16,200KB/second
DVD (Dual)	4,432 - 10,800KB/second
DVD-VIDEO (CSS Disc)	2,704 - 6,536KB/second
DVD-R, DVD-RW	2,704 - 6,536KB/second
DVD-RAM	2,704KB/second
CD	2,588 - 6,000KB/second (mode 1) 2,950 - 6,843KB/second (mode 2)
CD-RW	1,294 - 3,000KB/second (mode 1) 1,475 - 3,422KB/second (mode 2)

Random Access Time

DVD	130ms
CD	110ms
DVD-RAM	200ms

Data Error Rate

DVD-ROM	10 ⁻¹⁵ Max
CD-ROM	10 ⁻¹⁵ Max (Mode 1) 10 ⁻¹² Max (Mode 2)

Data Buffer 2MB

Reliability

MTBF	100,000 hours
Power ON Hours	5,436 hours/year
ON/OFF Cycles	313 cycles/year
Number of Access	600,000 accesses/year
Operating Duty Cycle	20% of Power ON time (Reading/Seeking) 2% of Power ON time (Writing/Seeking)
MTTR	0.5 hours

Environmental

Ambient Temperature	
Operating	5° to 50° C (41° to 122° F)
Storage	-10° to 60° C (14° to 140° F)
Shipping	-40° to 65° C (-40° to 149° F)
Temperature Gradient	
Operating	11° C /hour (max)
Storage/Shipping	20° C /hour (max)
Relative Humidity	
Operating	8% to 80%
Storage/Shipping	5% to 95% (wet bulb 40° C max)
Vibration	
Operating (5 to 500 Hz) (read)	2.45 m/s ² (0.25G) (O-P)
Operating (5 to 500Hz) (write)	2.45 m/s ² (0.25G) (O-P)
Non-operating (10 to 500Hz)	9.8 m/s ² (1.0G) (O-P)
Transporting (with packing) (10 to 25 Hz)	9.8 m/s ² (1.0G) (O-P)
Shock (Non-operating)	490 m/s ² [50G]
Acoustical Noise	40dB

Power

DC Voltage and Current Requirements	5V, 12V 5%
-------------------------------------	------------

Physical

Height	5.75" (146mm)
Width	1.63" (41.5mm)
Depth	7.46" (189.5mm)
Weight	2.20lbs (1.0kg)

Connectors

DC input	4-pin Power Supply Connector
ATAPI Interface Connector	40 Pin I/F ATAPI Standard
Audio Connectors	4-pin and 2-pin connector (use matching housing, Part No. 70066, made by Molex Corp, or equivalent)

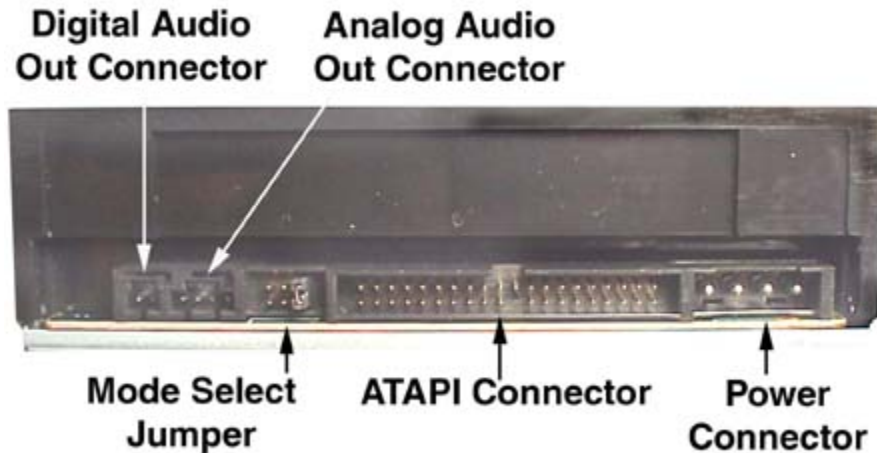
Regulatory

The SD-R5112 DVD Writeable drive has been certified by the following regulatory agencies:

- UL 1950
- CSA C22.2 No. 950
- TUV (EN60950I)
- CE standard
- DHHS 21 CFR Sub-Chapter J
- FDA CFR21, EN60825

DRIVE CONNECTORS –SD-R5112

Figure 1. SD-R5112 DVD Rewriteable Drive Rear Panel - Connectors



Power Connector

Power is supplied to your DVD drive by the connection with your computer's +5V/+12V power cable to the power socket at the back of drive. One side of the plug has chamfered edges, so the power connector fits only one way.



CAUTION: Severe damage to the Drive circuits may occur if power cable is plugged in upside-down with power ON.

Audio Connectors

Supplies Analog and Digital sound to your system.

ATAPI Connector

The SD-R5112 DVD drive is connected to your computer system through the ATAPI connector

Mode Select Jumper

The mode select jumpers are 6 straight angle pins located on the rear of the DVD drive. By placing a jumper on the pins, you can select the following functions: CL (CSEL), SL (Slave) or MA (Master). (see [Setup](#) for additional information).

Table 1.Interface Pin Assignments

INTERFACE PIN ASSIGNMENT							
PIN NO.	I/O	SIGNAL NAME	HOST SIGNAL NAME	PIN NO.	I/O	SIGNAL NAME	HOST SIGNAL NAME
1	I	Reset	Host Reset	21	O	HDRQ	DMA Request
2	-	GND		22	-	GND	
3	I/O	HD7	Host Data Bus BIT 7	23	I	HWR-,STOP	Host I/O Write
4	I/O	HD8	Host Data Bus BIT 8	24	-	GND	
5	I/O	HD6	Host Data Bus BIT 6	25	I	HRD-, HDMARDY, - HSTROBE	Host I/O Read
6	I/O	HD9	Host Data Bus BIT 9	26	-	GND	
7	I/O	HD5	Host Data Bus BIT 5	27	O	IORDY, DDMARDY,- DSTROBE	I/O Channel Ready
8	I/O	HD10	Host Data Bus Bit 10	28	-	CSEL	Cable Select
9	I/O	HD4	Host Data Bus BIT 4	29	I	HDAK-	DMA Acknowledge
10	I/O	HD11	Host Data Bus BIT 11	30	-	GND	
11	I/O	HD3	Host Data Bus BIT 3	31	O	INTRQ	Host Interrupt Request
12	I/O	HD12	Host Data Bus BIT 12	32	O	IOCS16-	Host 16 BIT I/O
13	I/O	HD2	Host Data Bus BIT 2	33	I	HA1	Host Address Bus BIT 1
14	I/O	HD13	Host Data Bus BIT 13	34	I/O	PDIAG-	Passed Diagnostics
15	I/O	HD1	Host Data Bus BIT 1	35	I	HA0	Host Address Bus BIT 0
16	I/O	HD14	Host Data Bus BIT 14	36	I	HA2	Host Address Bus BIT 2
17	I/O	HD0	Host Data Bus BIT 0	37	I	HCS1	Host CHIP Select 0
18	I/O	HD15	Host Data Bus BIT 15	38	I	HCS3	Host CHIP Select 1
19	-	GND		39	I/O	DASP-	Drive Active/Drive 1 Present
20	-	(KEYPIN)		40	-	GND	